

KANTILAL CHIMANLAL

AHMEDABAD
SINCE-1913

CAST IRON Y TYPE STRAINER

FLANGED

SPECIFICATIONS

'SANT' Cast Iron Y Type Strainer
Stainless Steel/Brass Perforated Sheet Screen
Flanged Ends as per BS:10 Table F
Suitable for Maximum Steam Working Pressure 150 Psig
Maximum Working Temperature 220°C

TESTING & CERTIFICATION

Test Pressure 300 Psig Hyd.

Test Certificate in Form IIIC as per IBR is furnished with every supply.

MATERIALS

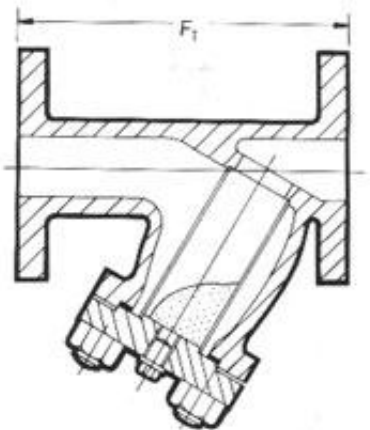
Components	Material	Material Specification
Body, Bonnet	Cast Iron	IS:210 Gr.FG200
Drain Plug for 25mm & above	Bronze	IBR 282(a)(iv) Gr.B
Strainer	S.S./Brass	AISI 304/IS:410
Gasket	Compressed Asbestos Fibre	IS:2712 Gr.C
Fasteners	Mild Steel	IS:226

DIMENSIONS (In mm)

Nominal Size	F1		
25	162		
40	206		
50	210		
65	248		
80	270		
100	381		
125	416		
150	451		
200	523		

SANT

CI 7A



Application

Water	Oil	Gas	Steam
•	•		•

KANTILAL CHIMANLAL
662/45, Kapasia Bazaar
Railwaypura, Ahmedabad-3800 02
Gujarat (INDIA)

Ph.: +91 79 2217 0041 / 80
Fax: +91 79 2212 1863
Mobile: +91 98795 15172
E-mail : kc@kantilalchimanlal.net

' For Guaranteed Trouble Free Service '