

KANTILAL CHIMANLAL

AHMEDABAD
SINCE-1913

BRASS PRESSURE REDUCING VALVE

SPECIFICATIONS

'SANT' Pressure Reducing Valve is a kind of direct operating and automatic pressure regulating valve.

Features :

Sensitive Reducing Pressure & Steady Outlet Pressure.
With Strainer.
Checks pressure value and regulates valve conveniently & accurately.
Compact construction and lightweight.

Application :

It is widely used for various kinds of industry such as Purifying, Filtration, Foodstuff, Printing & Dyeing and Building water supply etc.

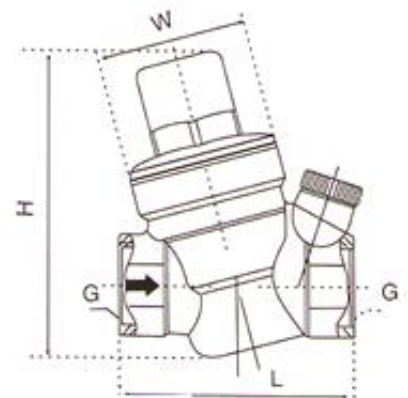
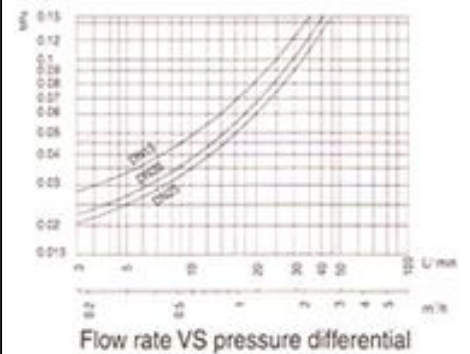
TESTING & CERTIFICATION

Orifice Size (mm)	15	20	25
Port Size (Female Thread)	BSP P 1/2"	BSP P 3/4"	BSP P 1"
Fluid	Water Compressed Air		
Fluid Temp (C)	≤65		
Max. Inlet Pressure P1 (bar)	16		
Outlet Pressure Range P2 (bar)	1~6		
Max (P1P 2) (bar)	6:1		
Flow Rate (KV)	See Flow Rate Drawing		

DIMENSIONS

Model	Size	Connection Size	L	W	H
	DN (mm)	(Female Thread)			
SANT 15	15	BSP P 1/2"	70	46	95
SANT 20	20	BSP P 3/4"	72	46	95
SANT 25	25	BSP P 1"	105	54	125

SANT



KANTILAL CHIMANLAL
662/45, Kapasia Bazaar
Railwaypura, Ahmedabad-3800 02
Gujarat (INDIA)

Ph.: +91 79 2217 0041 / 80
Fax: +91 79 2212 1863
Mobile: +91 98795 15172
E-mail : kc@kantilalchimanlal.net

' For Guaranteed Trouble Free Service '