

# KANTILAL CHIMANLAL

AHMEDABAD  
SINCE-1913

## GUN METAL GLOBE VALVE

RIISING STEM, SCREWED, IS:778 CLASS2,  MARKED

### SPECIFICATIONS

'SANT' Gun Metal Globe Valve  
Screwed in Bonnet  
Inside Screw  
Rising Stem  
Integral Seats  
Handwheel Operated  
Backseat Arrangement  
Screwed Female Ends (BSP) to IS:554 1999  
Conforming to IS:778 1984 Class2  
Valves are painted red

### TESTING & CERTIFICATION

Body Test Pressure 2.4 MPa Hyd.  
Seat & Back Seat Test Pressure 1.6 MPa Hyd.

All valves are supplied duly ISI Marked.  
Our Works' Test Certificate is furnished with every supply.

### MATERIALS

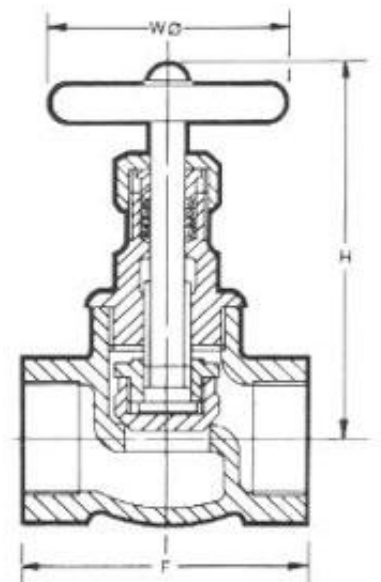
Components	Material	Material Specification
Body, Bonnet, Valve Disc, Check Nut, Gland & Gland Nut	Gun Metal / Leaded Tin Bronze	IS:318 Gr.LTB2
Spindle	Forged Brass	IS:6912 Gr.FLB
Handwheel	Cast Iron / Steel	IS:210 Gr.FG200
Gland Packing	Asbestos	IS:4687
Screw & Washer for Handwheel	Mild Steel	IS:226

### DIMENSIONS (In mm)

Nominal Size	F	H	W
8	47	75	50
10	50	80	50
15	60	85	56
20	70	90	56
25	80	115	65
32	95	120	75
40	110	130	90
50	125	135	100
65	160	170	144
80	180	200	175
100	216	230	195

SANT

IS 11



### Application

Water	Oil	Gas	Steam
●	●		

KANTILAL CHIMANLAL  
662/45, Kapasia Bazaar  
Railwaypura, Ahmedabad-3800 02  
Gujarat (INDIA)

Ph.: +91 79 2217 0041 / 80  
Fax: +91 79 2212 1863  
Mobile: +91 98795 15172  
E-mail : kc@kantilalchimanlal.net

' For Guaranteed Trouble Free Service '