


# KANTILAL CHIMANLAL

AHMEDABAD  
SINCE-1913

## GUN METAL GATE VALVE

NONR ISING STEM, SCREWED, IS:778 CLASS1,  MARKED

### SPECIFICATIONS

'SANT' Gun Metal Wedge Gate Valve  
Screwed in Bonnet  
Inside Screw  
Nonr ising Stem  
Integral Seats  
Screwed Female Ends (BSP) to IS:554 1999  
Handwheel Operated  
Conforming to IS:778 1984 Class1  
These valves are blue painted

### TESTING & CERTIFICATION

Body Test Pressure 1.5 MPa Hyd.  
Seat & Back Seat Test Pressure 1.0 MPa Hyd.

All valves are supplied duly ISI Marked.  
Our Works' Test Certificate is furnished with every supply.

### MATERIALS

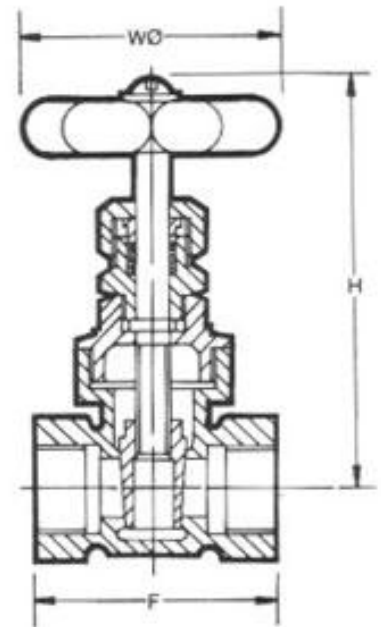
Components	Material	Material Specification
Body, Bonnet, Wedge, Stuffing Box, Gland & Gland Nut	Gun Metal / Leaded Tin Bronze	IS:318 Gr.LTB2
Spindle	Forged Brass	IS:6912 Gr.FLB
Handwheel	Cast Iron / Steel	IS:210 Gr.FG200
Gland Packing	Asbestos	IS:4687
Screw & Washer for Handwheel	Mild Steel	IS:226

### DIMENSIONS (In mm)

Nominal Size	F	H	W
8	50	80	50
10	50	85	50
15	60	105	56
20	60	110	56
25	70	125	65
32	80	135	75
40	90	160	90
50	100	175	100
65	105	210	105
80	125	250	115
100	160	300	145

SANT

IS 1



### Application

Water	Oil	Gas	Steam
●	●		

KANTILAL CHIMANLAL  
662/45, Kapasia Bazaar  
Railwaypura, Ahmedabad-3800 02  
Gujarat (INDIA)

Ph.: +91 79 2217 0041 / 80  
Fax: +91 79 2212 1863  
Mobile: +91 98795 15172  
E-mail : kc@kantilalchimanlal.net

' For Guaranteed Trouble Free Service '