

Valvola automatica di sfogo aria Automatic air vent valve

362

VOCI DI CAPITOLATO - TECHNICAL FEATURES



INCH/IN	3/8"	1/2"	3/4"	1"
PRESS./PRESSURE	10bar/145psi	10bar/145psi	10bar/145psi	10bar/145psi
CODE/COD	3620038	3620012	3620034	3620100
MODEL/MODELLO	10/120	10/120	10/120	10/120

Corpo in ottone nichelato.
Galleggiante in resina polietilenica.
O-ring in NBR.
Temperatura massima d'esercizio: 110°C.
Attacchi filettati: ISO228
(equivalente a DIN EN ISO 228 e BS EN ISO 228).

Body in nickel-plated brass.

Float in polyethylenic resin.

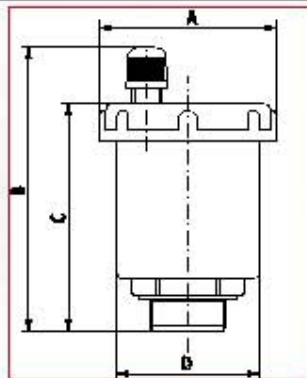
O-ring in NBR.

Maximum working temperature: 110°C.

Thread: ISO 228

(equivalent to DIN EN ISO 228 and BS EN ISO 228).

QUOTE DI INGOMBRO - DRAWING

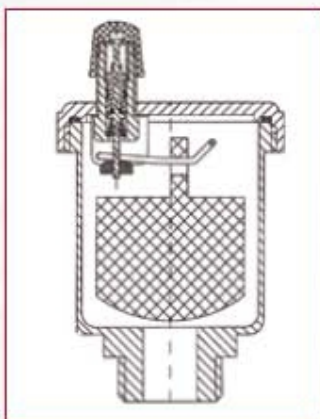


MISURE / SIZE	3/8"	1/2"	3/4"	1"
A (mm)	47	47	50	50
B (mm)	75	75	90	90
C (mm)	46	46	73	73
D (mm)	39	39	42	42
PRESS. ATMOSF. / WORK. PRESS. Kg/cm ² - bar	10	10	10	10
PRESS. ATMOSF. PSI LES WORK. PRESS	145	145	145	145

Certificazioni- Certifications



SCHEDA MATERIALI - MATERIALS



DATI TECNICI/TECHNICAL DATA	
Bicchiera / Sump	Ottone / Brass UNI EN 1982-2000
Tappo / Plug	Ottone / Brass CW617W
Galleggiante / Float	Polietilene / Polyethylene
Tappino / Little plug	Polietilene / Polyethylene
Or	NBR 70
Mecanismo / Mechanism	Ottone / Brass
Molla / Spring	Acciaio inox / Stainless steel
Pistoncino / Piston	Silicone 50SH rosso / Silicon material 50SH red
Levetta / Lever	Resina acetica / Acetic resin

Funzionamento- Function

Automatic air vent valve is installed in heating and air conditioning systems, in order to remove the air, without the need of manual intervention. The accumulation of air in the valve body causes the drop of the inside floating so that it is possible to discharge the air. The valve has to be installed in the vertical position. The maximum discharge pressure is 6 bar.

KANTILAL CHIMANLAL
662/45, Kapasia Bazaar
Railway pura, Ahmedabad-3800 02
Gujarat (INDIA)

Ph.: +91 79 2217 0041 / 80
Fax: +91 79 2212 1863
Mobile: +91 98795 15172
E-mail : kc@kantilalchimanlal.net

' For Guaranteed Trouble Free Service '

