

# KANTILAL CHIMANLAL

AHMEDABAD  
SINCE-1913

## CAST IRON BUTTERFLY VALVE (Upto 150mm)

WAFER TYPE, PN 1.0/CLASS 125  MARKED

### SPECIFICATIONS

'SANT' Cast Iron Butterfly Valve, Wafer Type  
Rubber Lined Body, Conforming to IS 13095 : 1991  
Rating PN 1.0 / Class 125, Regulating Type  
Handle Operated, ISI Marked

### TESTING & CERTIFICATION

Body Test Pressure 300 Psig Hyd.  
Seat Test Pressure 220 Psig Hyd.

Our Works' Test Certificate is furnished with every supply.

### MATERIALS

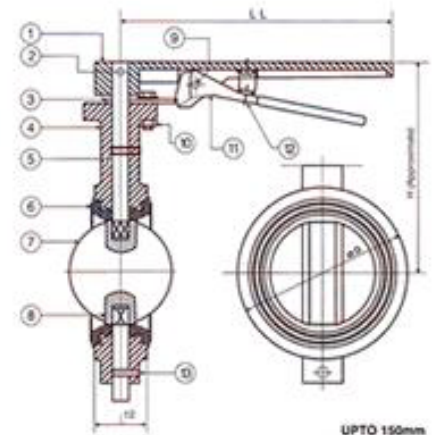
| P No. | Components      | No. | Material                | Specification  |
|-------|-----------------|-----|-------------------------|--|
| 1     | Lever           | 1   | M.I.                    | IS:14329 PVC Sleeve  |
| 2, 8  | Pin, Lower Stem | 1   | S.S.                    | IS:6603 Gr.12 Cr 13  |
| 3     | Cover Plate     | 1   | Carbon Steel            |  |
| 4     | Body            | 1   | C.I.                    | IS:210 Gr.FG200  |
| 5     | Upper Stem      | 1   | S.S.                    | IS:6603 Gr.12 Cr 13  |
| 6     | Body Lining     | 1   | Nitrile Rubber          | Or EPDM  |
| 7     | Disc            | 1   | CI Spherodical Gr. Iron | IS:210 Gr.FG200<br>IS:1865 Gr.SG400/12<br>S.S. IS:3444 Gr.6 or 7 |
| 9     | Screw           | 1   | Carbon Steel            |  |
| 10    | Bolts & Nuts    | 2   | Carbon Steel            | Min UTS 390N/mm <sup>2</sup>                                     |
| 11    | Adjusting Lever | 1   | M.I.                    | IS:14329 PVC Sleeve  |
| 12    | Spring          | 1   | Spring Steel            |  |
| 13    | Locking Screw   | 2   | Carbon Steel            |  |

### DIMENSIONS (In mm)

| Size | L  | ØD  | H   | LL  |  |  |  |  |
|------|----|-----|-----|-----|--|--|--|--|
| 40   | 33 | 84  | 150 | 215 |  |  |  |  |
| 50   | 43 | 96  | 160 | 215 |  |  |  |  |
| 65   | 46 | 109 | 175 | 215 |  |  |  |  |
| 80   | 46 | 129 | 180 | 270 |  |  |  |  |
| 100  | 52 | 180 | 200 | 270 |  |  |  |  |
| 125  | 56 | 192 | 240 | 270 |  |  |  |  |
| 150  | 56 | 217 | 260 | 325 |  |  |  |  |

**SANT**

**CI 25**



KANTILAL CHIMANLAL  
662/45, Kapasia Bazaar  
Railway pura, Ahmedabad-3800 02  
Gujarat (INDIA)

Ph.: +91 79 2217 0041 / 80  
Fax: +91 79 2212 1863  
Mobile: +91 98795 15172  
E-mail : kc@kantilalchimanlal.net

' For Guaranteed Trouble Free Service '