

# KANTILAL CHIMANLAL

AHMEDABAD  
SINCE-1913

## BRONZE SIGHT GLASS

SCREWED

### SPECIFICATIONS

'SANT' Bronze Sight Glass  
Toughened Glass Single Window upto and including 25mm size  
Toughened Glass Double Window for size above 25mm  
Screwed Female (BSPT) Ends  
Suitable for Maximum BOP = 250 Psig

### TESTING & CERTIFICATION

Test Pressures 500 Psig Hyd.

Test Certificate in Form IIIC as per IBR is furnished with every supply.

### MATERIALS

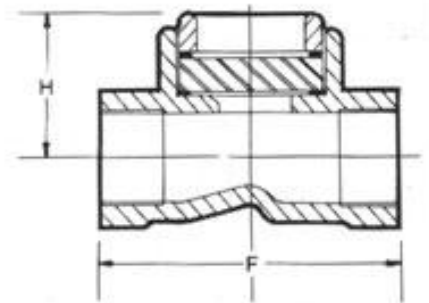
Components	Material	Material Specification
Body & Ring	IBR Bronze Gr.B	IBR 282(a)(iv) Gr.B
Glass	Toughened Glass	BS:3463
Gasket	Compressed Asbestos Fibre	IS:2712 Gr.C

### DIMENSIONS (In mm)

Nominal Size	F	H
15	89	43
20	92	48
25	102	50
32	105	98
40	110	110
50	115	122

SANT

BR 15



### Application

Water	Oil	Gas	Steam
•	•		•

KANTILAL CHIMANLAL  
662/45, Kapasia Bazaar  
Railwaypura, Ahmedabad-3800 02  
Gujarat (INDIA)

Ph.: +91 79 2217 0041 / 80  
Fax: +91 79 2212 1863  
Mobile: +91 98795 15172  
E-mail : kc@kantilalchimanlal.net

' For Guaranteed Trouble Free Service '